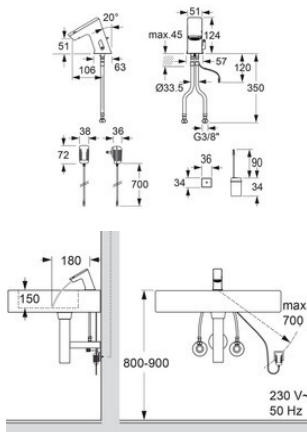


ultra lavatory faucet GS10, PUBLIC, IR-sensor, temp. mixing, battery, without drain assembly, chrome



Touch-free, electronically controlled lavatory faucet:

- modular single-piece design, without separate installation box, sturdy metal housing
- dual infrared sensors with automatic setting feature, microprocessor-electronic
- reliable solenoid valve (minimal level of water pressure surge)
- vandal-resistant aerator (replaceable with integrated tool)
- water supply connection with flexible high-pressure hoses

- check valves and built in filters
- temperature adjustable or fixable (vandal-proof construction)
- scald protection adjustable (mechanical)
- integrated automatic shut-off for facilitate replacing or cleaning the filter (no shut-off to angle valves required)
- One Tool Service / all system parts accessible from above
- automatic energy saving function (solar)
- 12 or 24-hour hygienic rinse activatable with Touch
- integrated battery unit
- compatible service monitor: control of stored operational data, settings and control functions

Electronics module: PUBLIC, Elektronikeinheit in robustem Metallgehäuse.

use: IR-sensor, contact-free activation

mixture: temp. mixing, mit Mischerhebel zur Temperaturregulierung

power supply: battery, 3 x 1,5 V Alkaline batteries LR14/2BN - standard; life time:

approx. 2 years or approx. 20.000 uses

drain assembly: without drain assembly

colour: chrome

Operating pressure: 0,3 - 10 bar

Flow rate: approx. 5,7 l/min. (3 bar) - optional 2 l/min (cost neutral)

Max. water temperature: 80° C

Aerator: aerator RC

Flexible hose: 35 cm

Angle valve connection: G 3/8''

Filter: 0,5 mm mesh size

Sensor-sensitivity: automatic self-adapting sensor technology

Follow-up time: 1 sec. pre-set (adjustable with Touch 0 - 10 sec.)

Continuous water flow

and hygienic rinse time: 2 min. pre-set (adjustable with Touch 0,5 - 20 min.)

Temporary-off: 2 min. (fixed)

Engineering standards: DIN EN 200;CE